



## Specification Sheet Model LB1

Job Name: \_\_\_\_\_

Equipment Rep: \_\_\_\_\_

Contractor: \_\_\_\_\_

Tjernlund Contact: \_\_\_\_\_

Arch./Engr.: \_\_\_\_\_

Date: \_\_\_\_\_

**Description:**

The LB1 maintains clothes dryer exhaust air velocities at proper levels when dryer exhaust duct lengths exceed dryer manufacturer recommendations. Suitable for up to 100 equivalent feet of duct.

**Housing:**

22 gauge G90 galvanized steel. Features rubber isolated mounting brackets which minimize vibration transfer.

**Control:**

Pressure sensing with self-cleaning sensing tube design. Automatically activates fan based on operation of dryer.

**Material Handling Impeller:**

The Lint Blitzer™ Reverse inclined, particulate handling impeller repels lint. 18 gauge G90 galvanized steel.

**Motor:**

PSC, permanently lubricated ball bearing motor is located outside the dryer exhaust air stream to prevent exposure to heat, lint and moisture.

**Supply Power:**

Six foot 115 VAC power cord factory installed and pre-wired. Requires installation adjacent to a standard electrical outlet. Automatically actuated by pressure sensing control.

**Installation Notes:**

Can be installed with discharge in horizontal or vertical orientations. Vertical orientations must discharge facing up.

Suitable for installation in ambient temperatures between: -20° F and 140° F ( -29° C and 60° C). Suitable for dryer duct temperatures up to 175° F (80° C).

**Warranty:**

Five (5) year material, workmanship and no-clog guarantee.

**Typical Specification:**

Device shall be Tjernlund Model LB1.

Device shall include a five (5) year material, workmanship and no-clog guarantee.

Device shall feature a metal, reverse-inclined particulate handling impeller that will not clog with lint.

Device shall feature a self-cleaning pressure sensing tube.

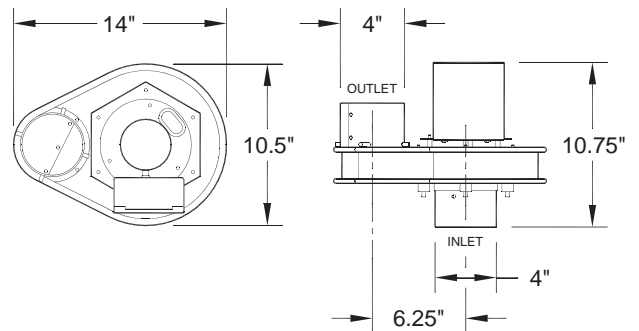
Device shall feature a motor located outside the dryer exhaust air stream.

Device shall feature a rubber isolated mounting bracket.

Device shall be acceptable for installation in unattended spaces.

Device shall be Listed in the USA to ANSI/UL 507 and in Canada to CSA C22.2 #113-M.

**Dimensions:**



**Specifications:**

MODEL LB1				
Volts	Amps	Watts	RPM	CFM
120	0.6	50	3000	160

