



# TJERNLUND PRODUCTS, INC.

1601 Ninth Street • White Bear Lake, MN 55110-6794  
PHONE (800) 255-4208 • (651) 426-2993 • FAX (651) 426-9547  
Visit our web site • www.tjernlund.com



## 950-9351 Current Sensor

READ OWNERS INSTRUCTIONS CAREFULLY PRIOR TO INSTALLATION. DO NOT DESTROY.

### INSTALLATION

#### WARNING

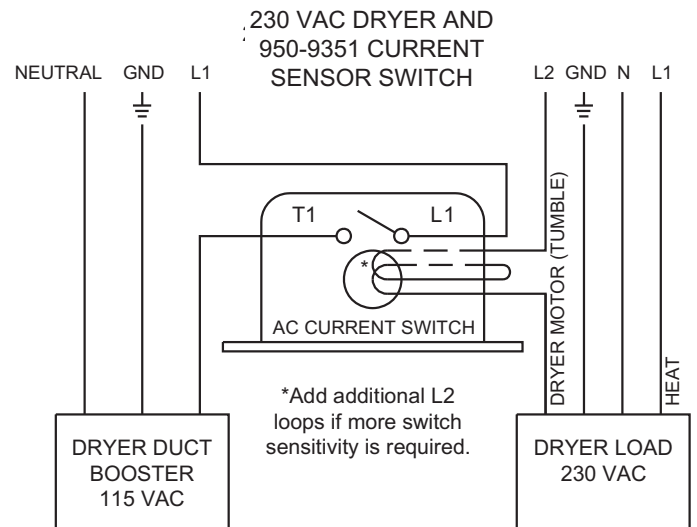
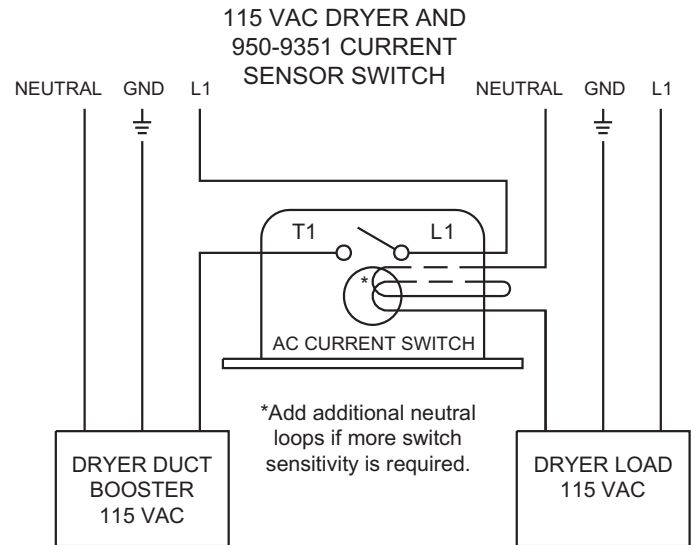
Installation performed by a licensed electrician is recommended. Installation and use of this equipment should be in accordance with provisions of the National Electrical Code.

Applicable local codes and pertinent industry standards should be verified before installation.

The current sensor is a solid-state N.O. high current AC switch that activates a device when current is sensed. This current sensor senses when the activating device (e.g. heater, dryer) is drawing 0.5 amps of current and then closes the output ( T1 ) side of the switch to activate the reacting device (e.g. booster fan). When the activating device turns off and the current drops below the amperage threshold, the output side of the switch opens.

The current sensor requires no field adjustments and only two wire connections for easy installation. This device is CSA Certified to Canadian and US Standards. The sensor is designed to mount in a standard electrical box. The sensor may be placed in an electrical box adjacent to the junction box in which the wires supply power to the activating device.

**Switch Contact Rating:** 120 VAC (MAX)  
2.5 AMP (MAX)



8089028 rev A

#### TJERNLUND LIMITED 1 YEAR WARRANTY

Tjernlund Products, Inc. warrants to the original purchaser of this product that the product will be free from defects due to faulty material or workmanship for a period of (1) year from the date of original purchase or delivery to the original purchaser, whichever is earlier. Remedies under this warranty are limited to repairing or replacing, at our option, any product which shall, within the above stated warranty period, be returned to Tjernlund Products, Inc. at the address listed below, postage prepaid. THERE ARE NO WARRANTIES WHICH EXTEND BEYOND THE DESCRIPTION ON THE FACE HEREOF, AND TJERNLUND PRODUCTS, INC. EXPRESSLY DISCLAIMS LIABILITY FOR INCIDENTAL OR CONSEQUENTIAL DAMAGES ARISING FROM THE USE OF THIS PRODUCT. THIS WARRANTY IS IN LIEU OF ALL OTHER EXPRESS WARRANTIES AND NO AGENT IS AUTHORIZED TO ASSUME FOR US ANY LIABILITY ADDITIONAL TO THOSE SET FORTH IN THIS LIMITED WARRANTY. IMPLIED WARRANTIES ARE LIMITED TO THE STATED DURATION OF THIS LIMITED WARRANTY. Some states do not allow limitation on how long an implied warranty lasts, so that limitation may not apply to you. In addition, some states do not allow the exclusion or limitation of incidental or consequential damages, so that above limitation or exclusion may not apply to you. This warranty gives you specific legal rights and you may also have other rights which may vary from state to state. Send all inquiries regarding warranty work to Tjernlund Products, Inc. 1601 9th Street, White Bear Lake, MN 55110-6794. Phone (651) 426-2993 • (800) 255-4208 • Fax (651) 426-9547 • Email fanmail@tjfans.com.